



926

Solid plastic connector
made of Polyamid 66+, UL 94 V0

Contact

Intercontec Produkt GmbH
Bernrieder Str. 15
94559 Niederwinkling
Germany
Tel.: +49 9962 20 02-0
Fax: +49 9962 20 02-70

Intercontec Group

- Intercontec Produkt GmbH
- Comtec Systeme GmbH
- Motec Montage GmbH
- Cablotec GmbH

OUR NEW PRODUCTS

World first! Robust and reliable:

The first M12 single-cable connection solution of the 630 V power class in the style of the large servo connection solutions

Servo applications are becoming ever smaller in the international markets. This means high requirements for all the other components. Accordingly, there is also a need for a particularly compact and at the same time powerful quick-connect safety fastener.

The Intercontec M12 speedtec connector is especially made for small-sized servo-motors. The new M12 single-cable connection solution is – like the larger system – equipped with "rotatable angled receptacles" (angled motor connectors with individually adjustable cable outlet directions).

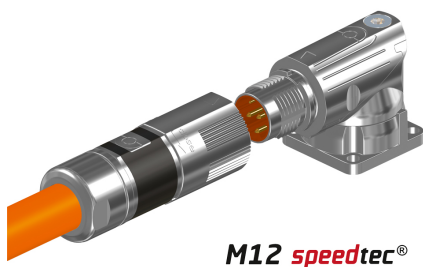
The speedtec quick-connect safety fastener is noted for having reliable 360° EMC shielding, a robust metal housing with protective ground connection, as well as a constantly low contact resistance of the protective ground connection. This makes it possible to dispense with the protective ground contacting in the motor housing, while guaranteeing full compliance with the standards.

The system will be available from spring 2017 in a freely field-mountable version and is designed for the use of D-sub contacts that can be processed by machine with variable locking, number of pins, contacts and cable clamping range. The system will start with a 6-pin (5 + PE) and an 8-pin (3 + PE + 4) pole arrangement. There are already plans for a design with a "4.tec" assembly concept that can be processed in automated fashion by machine.

PRODUCT NEWS



[>> read more...](#)



M12 speedtec®

DIE 3-IN-1-LÖSUNG



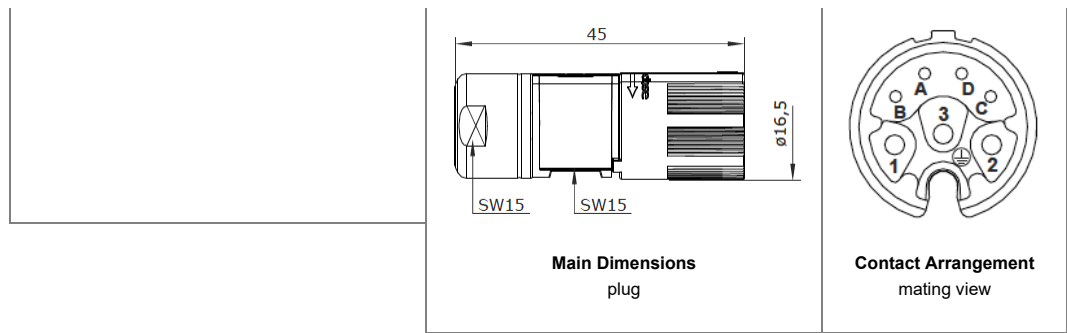
[>> Reduzieren Sie die Anzahl Ihrer Kabel](#)

912 Plug

speedtec®

8-pin
EMC-Shielding
Earth-to-Housing Connection according to VDE 0627
order code: B S A 440 N 00 08 100B 000





Technical Data

number of pins	8 (3+PE +4)
temperature range	-20 °C to 130 °C
clamping range	ø8,0mm - ø8,9 mm
protection type	IP 66/67 when connected

Electrical Data

	Power	Signal
rated current	max. 8 A*	max. 1 A*
rated voltage	630 V (AC/DC)	48 V (AC/DC)
rated insulation voltage (L-L)	6 000 V	1500 V
contact resistance	< 5 mOhm	< 15 mOhm
mating cycles	500	

Data according to VDE 0110/EN61984, Paragraph 6.19.2.2

pollution degree	3
over voltage category	III
max. height for operation	2000 m

Material

housing	zinc diecast, nickel plated
clamp ring	brass, nickel plated
insulation insert	PBT, UL 94/ V0
seals	FKM

Contacts (not part of product contents)

for pin 1,2,3,PE HDP-20 socket	TE Connectivity
AWG 28 - 24	order code: 66505-3 order code: 1658538-2
AWG 24 - 20	order code: 66504-3 order code: 1658537-3
for pin A-D type cross-section	order code: 60.278.11 contact socket ø0.6 mm crimp/ 0.03 - 0.34 mm ²

Tools (not part of product contents)

digital crimping tool	order code: C0.235.00
locator for digital crimping tool	order code: C0.265.00

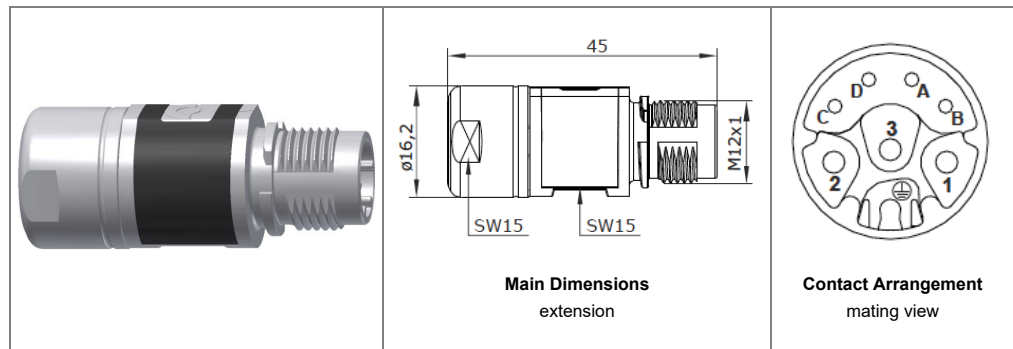
912 Extension

speedtec®

8-pin

Earth-to-Housing Connection according to VDE 0627

order code: B K A 441 N 00 00 100B 000



Technical Data

number of pins	8 (3+PE +4)
temperature range	-20 °C to 130 °C
clamping range	ø8,0mm - ø8,9 mm
protection type	IP 66/67 when connected

Electrical Data

	Power	Signal
rated current	max. 8 A*	max. 1 A*
rated voltage	630 V (AC/DC)	48 V (AC/DC)
rated insulation voltage (L-L)	6 000 V	1500 V
contact resistance	< 5 mOhm	< 15 mOhm
mating cycles	500	

Data according to VDE 0110/EN61984, Paragraph 6.19.2.2

pollution degree	3
over voltage category	III
max. height for operation	2000 m

Material

housing	zinc diecast, nickel plated
clamp ring	brass, nickel plated
insulation insert	PA, PBT, UL 94/ V0
seals	FKM

Contacts (not part of product contents)

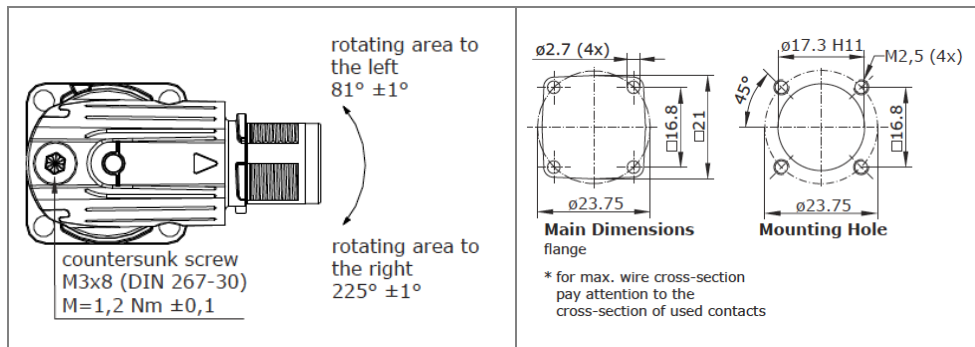
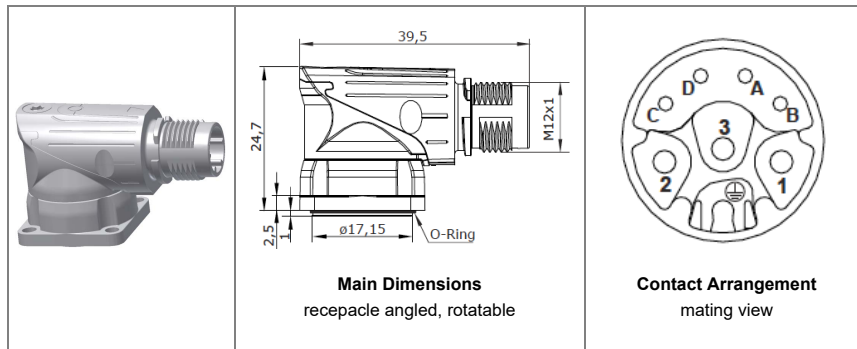
for pin 1,2,3,PE HDP-20 pin	TE Connectivity
AWG 28 - 24	order code: 66507-3 order code: 1658540-4
AWG 24 - 20	order code: 66506-3 order code: 1658539-1
for pin A-D type cross-section	order code: 61.252.11 contact socket ø0.6 mm crimp/ 0.03 - 0.34 mm ²

Tools (not part of product contents)

digital crimping tool	order code: C0.235.00
locator for digital crimping tool	order code: C0.265.00

912 Receptacle Angled

speedtec®

8-pin, rotatable**Flange 21x21, Axial Sealing****Earth-to-Housing Connection according to VDE 0627****order code: B G A 442 N 00 00 100B 000****Technical Data**

number of pins	8 (3+PE +4)
temperature range	-20 °C to 130 °C
protection type	IP 66/67 when connected

Electrical Data

	Power	Signal
rated current	max. 8 A*	max. 1 A*
rated voltage	630 V (AC/DC)	48 V (AC/DC)
rated insulation voltage (L-L)	6 000 V	1500 V
contact resistance	< 5 mOhm	< 15 mOhm
mating cycles	500	

Data according to VDE 0110/EN61984, Paragraph 6.19.2.2

pollution degree	3
over voltage category	III
max. height for operation	2000 m

Material

housing	zinc diecast, nickel plated
insulation insert	PA, PBT, UL 94/ V0
seals	FKM

Contacts (not part of product contents)

for pin 1,2,3,PE HDP-20 pin	TE Connectivity
AWG 28 - 24	order code: 66507-3 order code: 1658540-4
AWG 24 - 20	order code: 66506-3 order code: 1658539-1
for pin A-D type cross-section	order code: 61.252.11 contact pin $\varnothing 0.6$ mm crimp/ 0.03 - 0.34 mm ²

Tools (not part of product contents)

digital crimping tool	order code: C0.235.00
locator for digital crimping tool	order code: C0.265.00

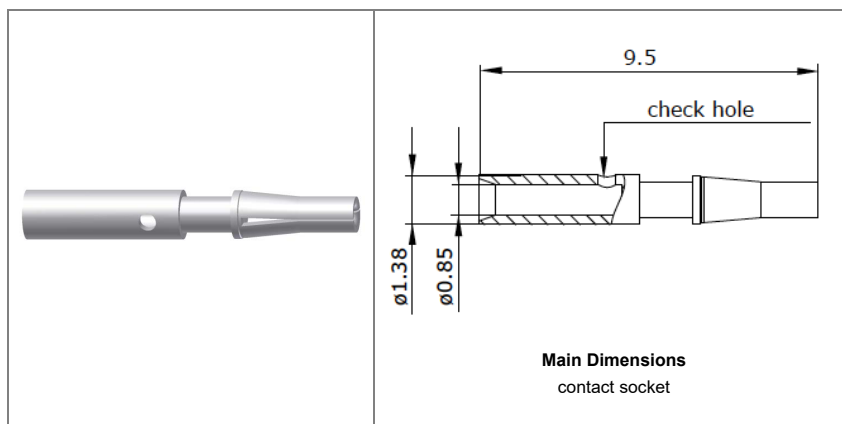
Contact Socket 0,6 mm

for:

- 723 htec

- 740 htec

order code: 60.278.11

**Electrical Data**

transfer rate	100 Mbit/s (cat5)
contact resistance	< 15 mOhm

Material

contact	brass, gold plated
---------	--------------------

Termination

kind of termination	crimp
cross-section	0,03 - 0,34 mm ²
stripping length	4 mm

wire diameter	max. \varnothing 1,6 mm
---------------	---------------------------

Mechanical Data

mating cycles	500
---------------	-----

Tools (not part of product contents)

digital crimping tool	order code: C0.235.00
locator for digital crimping tool	order code: C0.265.00

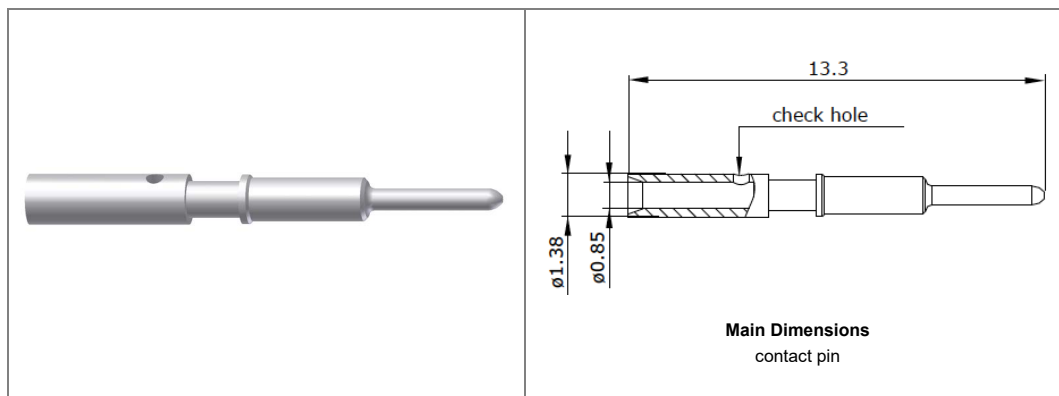
Contact Pin \varnothing 0,6 mm

for:

- 723 htec

- 740 htec

order code.: 61.252.11



Electrical Data

transfer rate	100 Mbit/s (cat5)
contact resistance	< 15 mOhm

Material

contact	brass, gold plated
---------	--------------------

Termination

kind of termination	crimp
cross-section	0,03 - 0,34 mm ²
stripping length	4 mm
wire diameter	max. \varnothing 1,6 mm

Mechanical Data

mating cycles	500
---------------	-----

Tools (not part of product contents)

digital crimping tool	order code: C0.235.00
locator for digital crimping tool	order code: C0.265.00

Accreditation:



Contact us with any further questions!

Intercontec Produkt GmbH
Bernrieder Str. 15
94559 Niederwinkling
Phone: +49 9962 20 02-0
Fax: +49 9962 20 02-70

Email: info@intercontec.biz

[back to overview](#)

[Purchase Terms](#) [Sales Terms](#) [Impressum](#)